

Digital 1® Control

The Digital 1 Control maintains selected room temperature and features a high limit shut-off. Provides Steam-On-Demand® for consistent room temperature comfort and control.

CU1-D1 KIT CONTENT

- Digital 1 Control (factory installed on generator)
- Digital 1 Sensor
- One ¾" Steam Solenoid Valve and ¾" Steamhead
- Acrylic Shield
- Sensor Cover

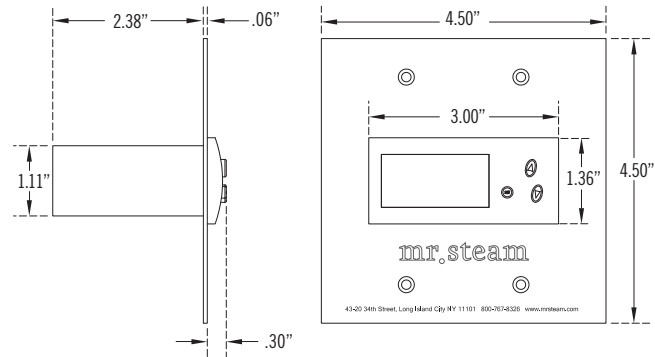
CU2-D1 KIT CONTENT

For CU 2000 - 4500 serving one room using two steam solenoid valves and two steamheads.

- Digital 1 Control (factory installed on generator)
- Digital 1 Sensor
- Two ¾" Steam Solenoid Valve and ¾" Steamhead
- Two Acrylic Shields, one for each steamhead
- Sensor Cover

DIGITAL 1 CONTROL INSTALLATION

- HAZARD OF ELECTRIC SHOCK: Disconnect all power supplies before making wiring connections.
- Digital 1 Control uses 120V, 1PH control voltage supply.
- If Digital 1 Control is not factory installed on generator, refer to PUR 100376 for installation instructions.
- Use provided screws and nuts.
- Refer to PUR 100376 for control wiring schematic.



OPERATING TEMPERATURE SENSOR INSTALLATION

- Locate sensor on a wall inside the steam room five (5) feet above the floor
- Do NOT locate the Digital 1 sensors near or above the steamhead(s) as this may cause direct steam emission to interfere with steam room temperature regulation.
- Do NOT route sensor cable with power wiring, next to electric motors or any other location subject to electrical noise.
- Seal cable entrance to steam room with silicone.
- Protect sensor with bulb guard provided.
- Ensure all splices in the sensor cable are securely crimped, soldered, and sealed with heat shrink tubing
- See PUR 100376 for detailed installation

OPERATING PARAMETERS

- Operating Temperature Range 80-120°F (26.5 - 49°C)
- Backup Temperature shut off fixed at 130°F (54.5°C)

Backup Temperature Shut-off

- In the event room conditions or environment cause the temperature to reach 130 °F (54.5 °C) the Digital 1 Control will shut off power to the steam bath generator.
- The Digital 1 control will reset when the temperature in the room reaches normal operating range.

Compliance

The Digital 1 control meets  and CE requirements.

NOTE: FOR ILLUSTRATIVE PURPOSES ONLY.

IMPORTANT: See Mr.Steam® Installation, Operation and Maintenance Manual, PUR 100376 and Digital 1 Control Operation, PUR 100457 for details.

Click here to download this manual:

<http://mrsteam.com/products/technical-downloads.html>