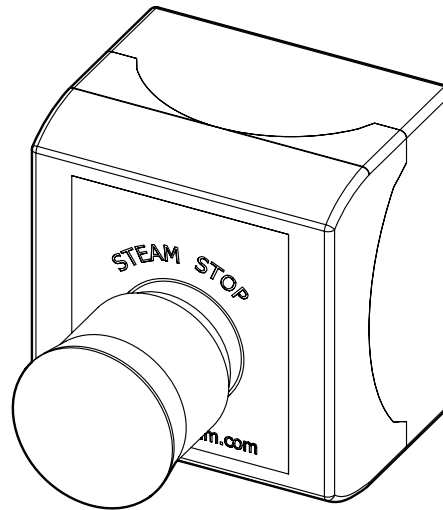


CU Steam Stop™

The CU Steamstop is an emergency stop switch to electronically shut down the steam generator. Multiple stop switches can be used with one generator.

- Water resistant IP-69K rating suitable for use inside or outside the steam room
- Used to turn off steam solenoid(s)
- Installation must conform to National and local electrical codes
- Accepts 1/4" & 1/2" NPT; M16 & M20; and Pg 13.5 & Pg 16 conduit and fittings



LOCATION AND INSTALLATION

The CU-STEAMSTOP shall be positioned for easy access by the attendant or user.

⚠ WARNING ELECTRIC SHOCK HAZARD.

Disconnect all power supplies at the main disconnect switch before proceeding with wiring of the CU-STEAMSTOP. All electrical wiring must be installed by a qualified, licensed electrician in accordance with National and local codes.

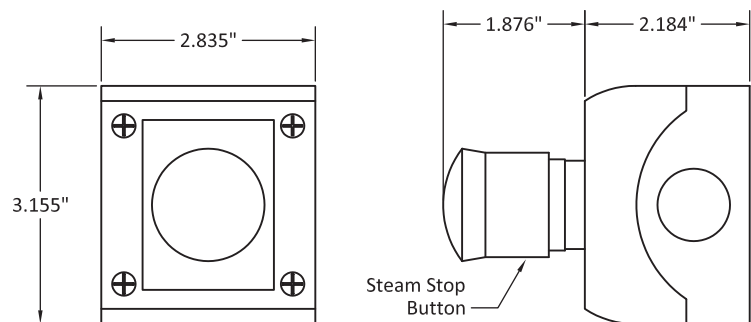
OPERATION AND USAGE

Pressing the CU-STEAMSTOP button will stop the flow of steam into the steam room.

NOTE: When used with a Digital 1 Control, the Digital 1 internal alarm (or CU-ALARM if equipped) will sound if the CU-STEAMSTOP is pressed.

⚠ CAUTION Steam will flow from the steam-head as soon as the CU-STEAMSTOP is reset.

Refer to CU Steam Stop Installation Instructions, PUR 100451 for complete installation details and instructions.



| Hole Marking | Fitting | Drill Size |
|------------------|----------|------------|
| M16 | 1/4" NPT | 35/64" |
| | M16 | 41/64" |
| M20 (Pg 13.5) | M20 | 51/64" |
| | Pg 13.5 | 53/64" |
| | 1/2" NPT | 27/32" |
| Pg 16 | 1/2" NPT | 27/32" |
| | Pg 16 | 29/32" |

NOTE: FOR ILLUSTRATIVE PURPOSES ONLY.

IMPORTANT: See Mr.Steam® Installation, Operation and Maintenance Manual, PUR 100376 and CU Steamstop Installation Instructions, PUR 100451, for details.

Click here to download this manual:

<http://mrsteam.com/products/technical-downloads.html>